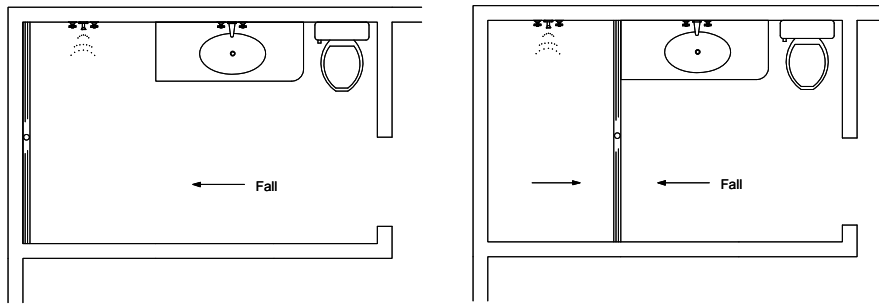
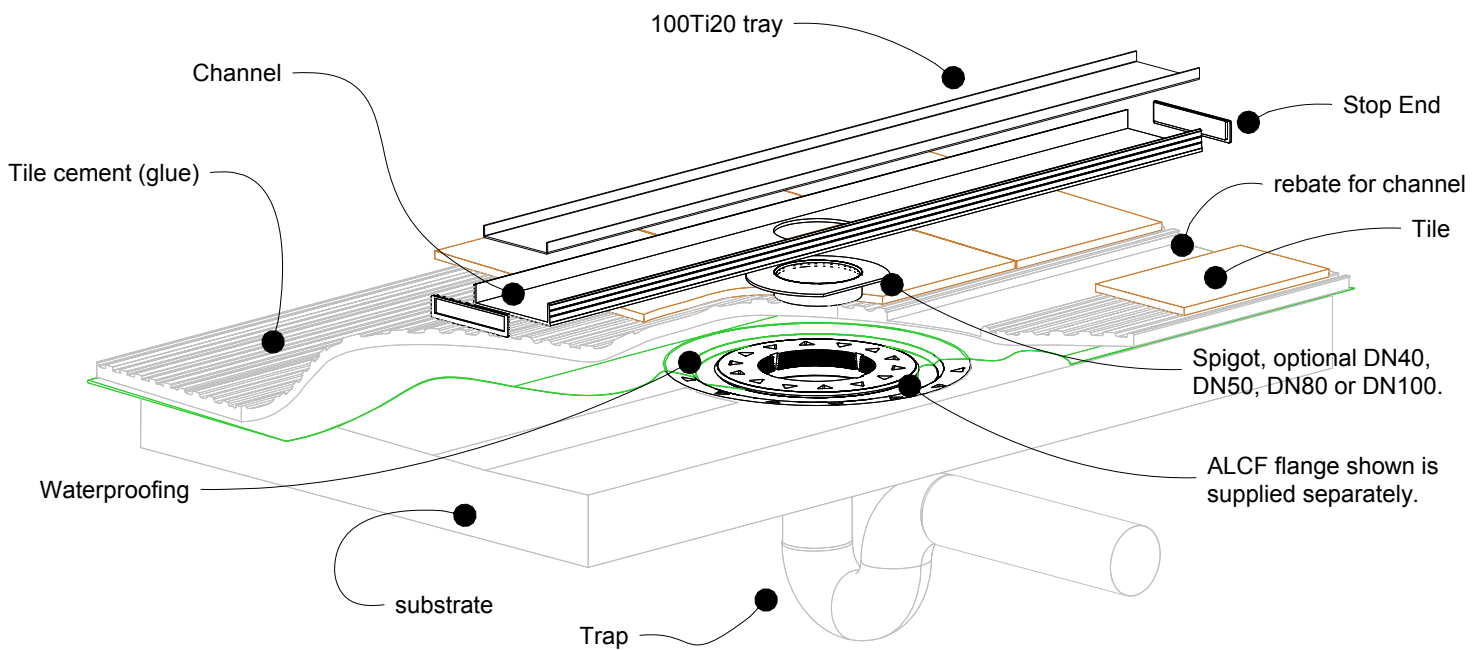


# 100TiG20 Bathroom



NOTE, ensure pipe sizes and outlet sizes selected are as per requirements in AS3500.



NOTE, this method requires the channel system to be ABOVE and SEPARATE from the WATERPROOFING.

