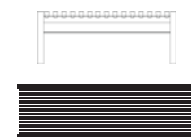


Threshold drain - Premium for Sub Sil and Sil

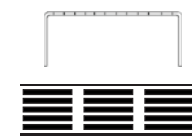
Order Form



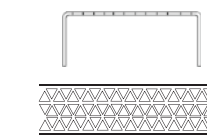
Grates



Architectural (AR)

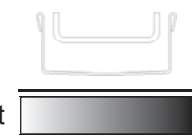


Punched Slot (PS)



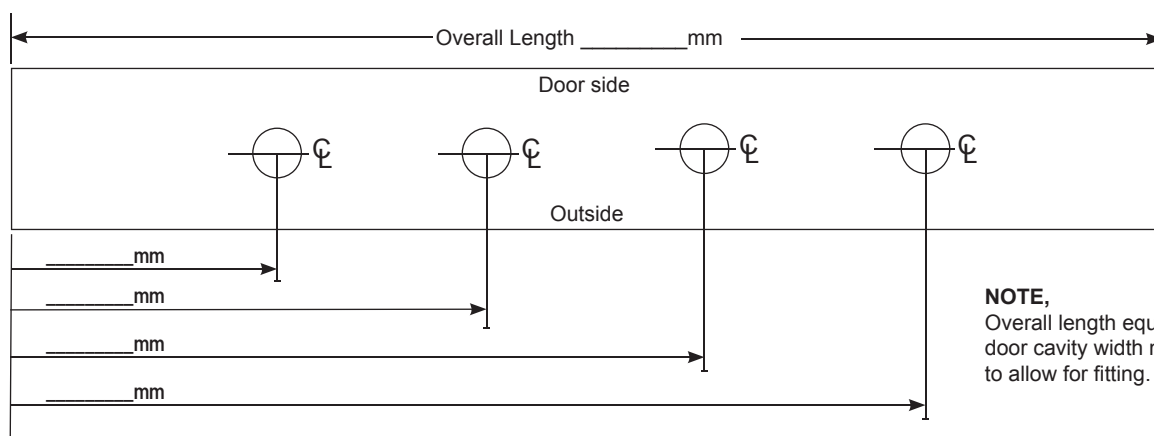
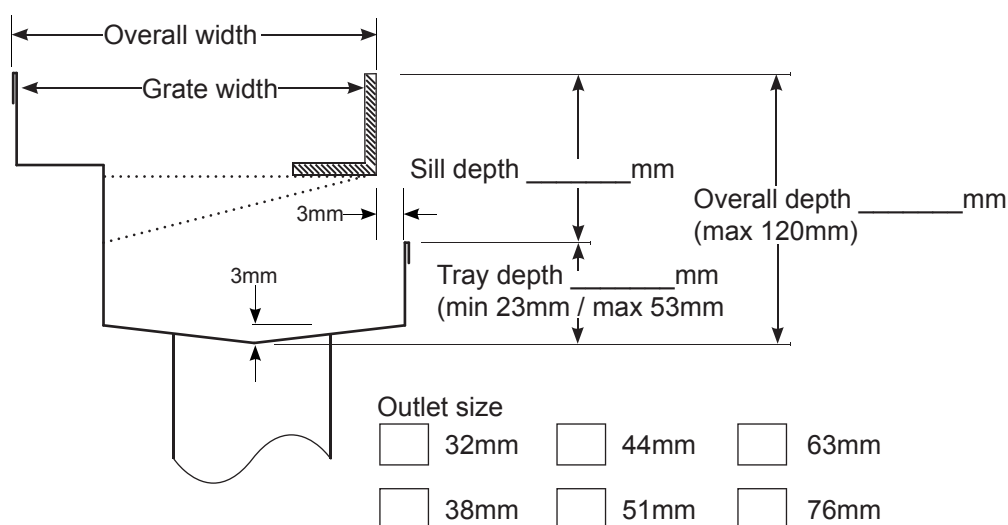
Marc Newson (MND)

Tile Insert



14mm ID (Suits max 12mm tile)

- | | | |
|--|--------------------------------------|---|
| <input type="checkbox"/> 65mm Tile Insert | <input type="checkbox"/> 65mm Grate | Overall width = 74mm (Min sill depth 35mm) |
| <input type="checkbox"/> 100mm Tile Insert | <input type="checkbox"/> 100mm Grate | Overall width = 109mm (Min sill depth 30mm) |



NOTE,
Overall length equals door cavity width minus 4mm to allow for fitting.

Name	Email
<input style="width: 100%;" type="text"/>	<input style="width: 100%;" type="text"/>
Customer name/job	Branch
<input style="width: 100%;" type="text"/>	<input style="width: 50%;" type="text"/>
	S/tech quote #
	<input style="width: 50%;" type="text"/>
Order number	Signature & date
<input style="width: 100%;" type="text"/>	<input style="width: 100%;" type="text"/>

Fax to 02 44235552 or email to info@stormtech.com.au

